

- Perfect heat & pressure distribution
- Single plate 13x13 cm
- Ideal for small production
- User friendly
- Optimized dimensions
- Automatic opening by electromagnet (LE 130 V3 only)
- Robust frame
- Suitable for laser transfer applications & sublimation on textile and rigid materials and pretreatment
- Manufactured in France
- 2-year guarantee on the machine
- 10-year guarantee on heating elements



Set programs



SmartTouch®  
Controller



Pre-heat time



Electromagnetic  
(LE 130 V3 ONLY)

## OPTIONAL ACCESSORIES



Support table

Email

sales@sefa.fr  
support@sefa.fr  
www.sefa.fr



Phone

Office : + 33 4 68 74 05 89  
Fax : + 33 4 68 74 24 08



Address

SEFA SAS  
Z.I. PASTABRAC  
11 260 ESPERAZA (FR)

## TECHNICAL CHARACTERISTICS

Type	Electromagnetic
Operation	Clamshell opening
Platen size	13 x 13 cm
Max thickness	15 mm
Weight	22 Kg
Pressure	600 g/cm <sup>2</sup>
°C / °F Max	220 °C / 429 °F
Power	400 W
Power supply	240 V Single-phase
Amperage	2 A
Applications	Flex, direct-to-garment, pre-treatment, sublimation on rigid substrate, textile sublimation, laser transfer, screen printing
Dimension	621x233x549 mm

## OPTIONAL ACCESSORIES



TAB-98 LITE  
Support table.

## SETTINGS



New SmartTouch® controller developed by Sefa

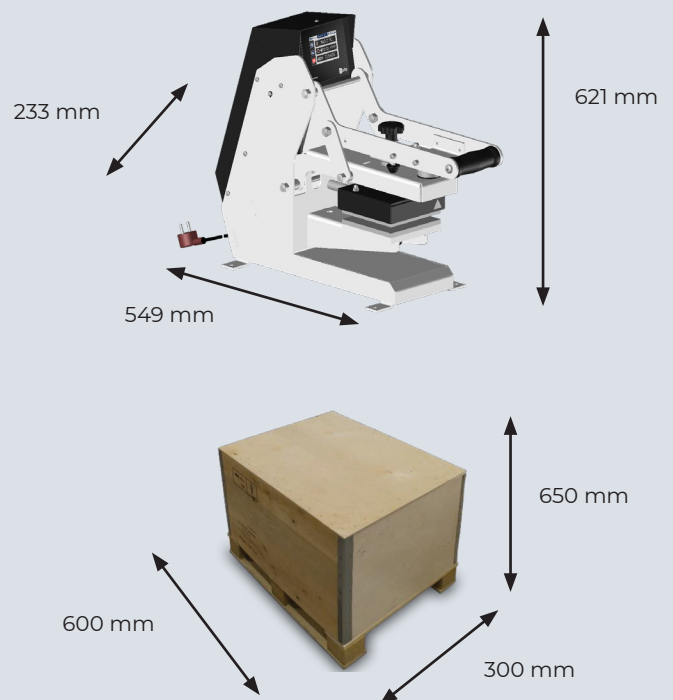
Recipes menu with adaptive regulation parameters depending on the job: flex, sublimation on textile, sublimation on rigid substrates, DTG...

Advanced electronics

- Fully editable recipes menus
- Independent time for each plate
- Multi timer (up to 2 different times)
- Cycles counters
- Stop cycle function
- ECO GREEN mode

From 0 to 600 s (precision +/- 1%).  
From 15 to 220°C (precision +/- 1%).  
Heating time to reach 180°C : 10 min.

## DIMENSIONS



Box weight American Box : 300x650x600 mm



Foot pedal



- Perfect heat & pressure distribution
- 13x13cm plate
- Robust frame
- Height adjustment between plates
- User friendly
- F foot pedal control
- New SmartTouch® interface
- Automatic closing / opening
- Suitable for laser transfer, screen printing, sublimation, heat transfer film.
- Ideal for medium production
- Manufactured in France
- 2-year guarantee on the machine
- 10-year guarantee on heating elements



Set programs



Pneumatic



Fast heat up

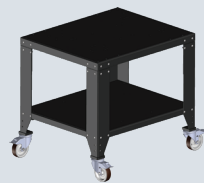


Pre-heat time



SmartTouch®  
Controller

## OPTIONAL ACCESSORIES



Support table



Compressor

Email

sales@sefa.fr  
support@sefa.fr  
www.sefa.fr



Phone

Office : + 33 4 68 74 05 89  
Fax : + 33 4 68 74 24 08



Address

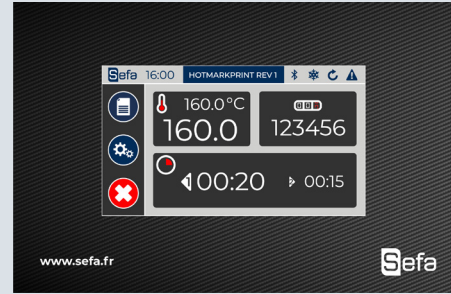
SEFA SAS  
Z.I. PASTABRAC  
11 260 ESPERAZA (FR)



## TECHNICAL CHARACTERISTICS

Type	Pneumatic
Operation	Clamshell
Platen size	Logo 13x13 cm
Weight	25 Kg
Pressure	750 g/cm <sup>2</sup>
°C / °F Max	220 °C / 429 °F
Power	400 W
Power supply	240 V Single-phase
Amperage	2 A
Applications	Flex, direct-to-garment, pre-treatment, sublimation on rigid substrate, textile sublimation, laser transfer, screen printing
Dimensions	498x274x544 mm

## SETTINGS



New **SmartTouch®** controller developed by Sefa

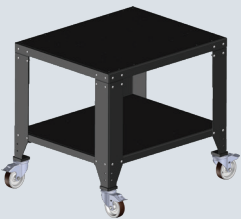
Recipes menu with adaptive regulation parameters depending on the job: flex, sublimation on textile, sublimation on rigid substrates, DTG...

Advanced electronics

- Fully editable recipes menus
- Independent time for each plate
- Multi timer (up to 4 different times)
- Cycles counters
- Stop cycle function
- ECO GREEN mode

From 0 to 600 s (precision +/- 1%).  
From 15 to 220°C (precision +/- 1%).  
Heating time to reach 180°C : 5 min.

## OPTIONAL ACCESSORIES

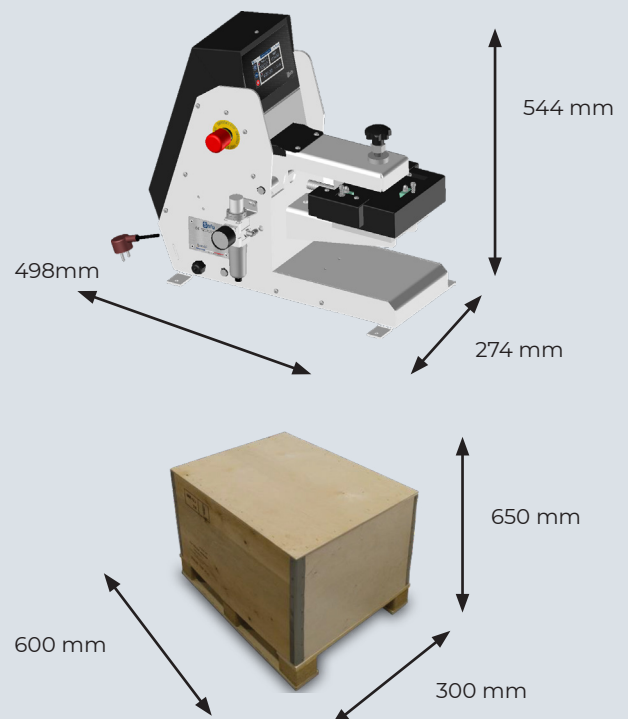


**TAB-98 PRO / R**  
Support table (optional castors available).



**COMP-37**  
Silent compressor 42dB 24L.  
37 L/min.

## DIMENSIONS



American Box : 300x650x600 mm