

MADE IN FRANCE



Setting programs



Pre-heat time



Electromagnetic (Plus)



10 year warranty
on heating elements



2 year warranty
on the machine



- Perfect heat & pressure distribution
- Single platen 40x50 cm (16x20")
- Automatic opening by electromagnet on Plus version
- Robust frame
- Suitable for laser transfer applications & sublimation on textile and rigid materials
- Ideal for small productions

Email

sales@sefa.fr
support@sefa.fr
www.sefa.fr



Phone

Office : + 33 4 68 74 05 89



Address

SEFA SAS
Z.I. PASTABRAC
11 260 ESPERAZA (FR)



TECHNICAL CHARACTERISTICS

Weight	40 Kg / 88 lb
Pressure	330 gr/cm ²
Max temperature	230°C / 429°F
Power supply	240V
Electric power	2200 W
Amperage	10 A
Plate	40X50 cm / 16x20"
Epaisseur maximale	15 mm

Type Features	Electromagnetic (Clam plus) Automatic opening (Clam plus) Manual closing
---------------	--

SETTINGS



Precise, fast control (PID technology) for a wide range of transfer products:
flex, flock, sublimation, silk-screen transfer

Advanced electronics
 - Double timer (main + preheating)
 - 2 parts counters,
 - 3 modifiable programs
 - Energy-saving mode
 - Stop cycle function

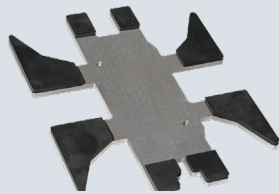
From 0 to 999 s (precision +/- 1%)
 From 15 to 230°C (precision +/- 1%)
 Heating time from 15 to 180°C : 12 min

OPTIONAL ACCESORIES



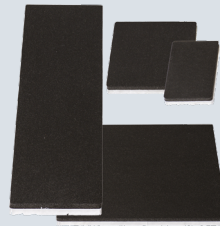
SUPPORT TABLE

TAB-98 LITE
Support table



SHOES PLATE

PLA-SET
Special plate that fits textile
and sport shoes (side and back)



SET OF 4 PLATES

PLA-SET
12 x 8 cm, 15 x 15 cm,
12 x 45 cm, 25 x 30 cm



**NOMEX COVER®
(INCLUDED)**

HOU-50



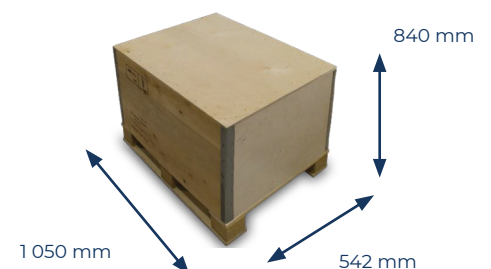
TEFLON FABRIC

TOI-4050

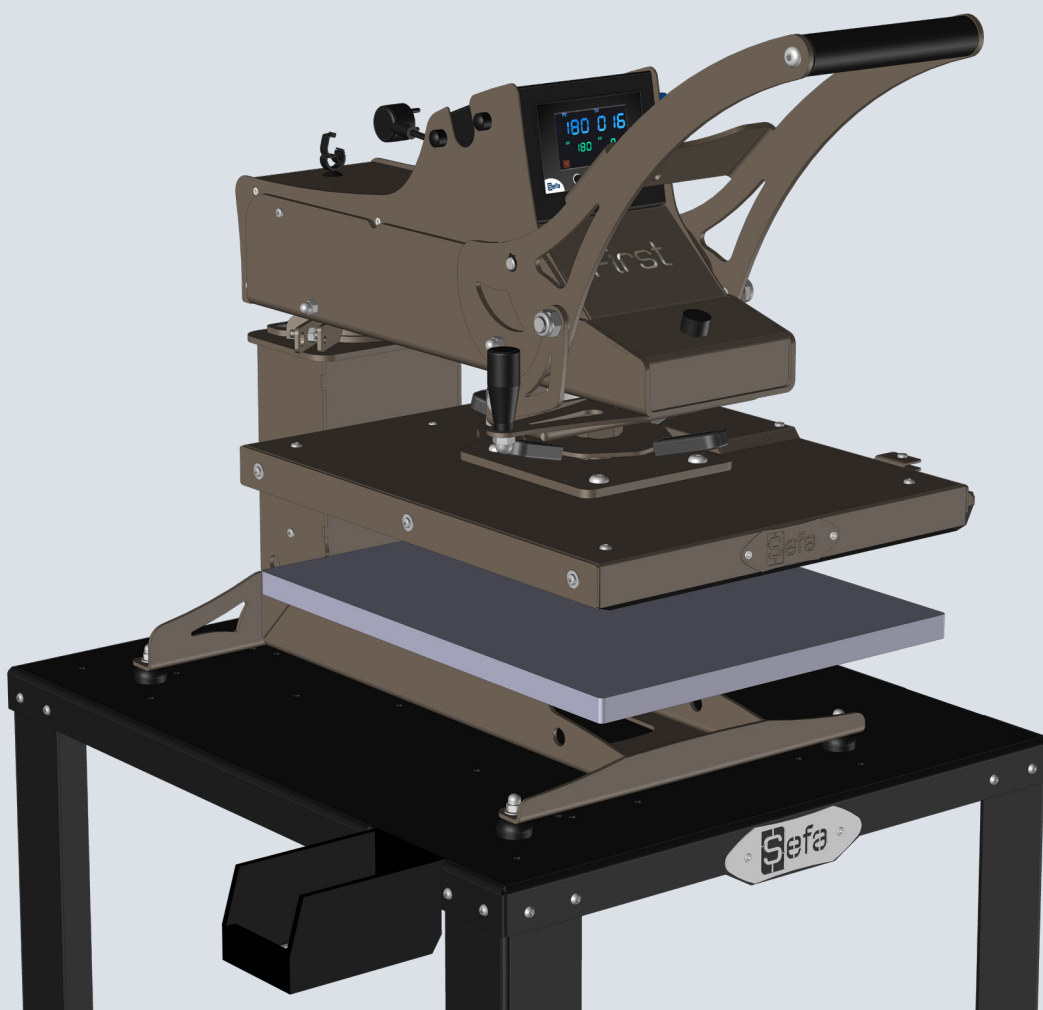
DIMENSIONS



Box weight CAI-011 : 19 kg



MADE IN FRANCE



Setting programs



Pre-heat time



2200 W



10 year warranty
on heating elements



2 year warranty
on the machine



- Perfect heat & pressure distribution
- Single platen 40x50 cm (16x20")
- Robust frame
- Suitable for laser transfer applications & sublimation on textile and rigid materials
- Ideal for small productions

Email

sales@sefa.fr
support@sefa.fr
www.sefa.fr

Phone

Office : + 33 4 68 74 05 89

Address

SEFA SAS
Z.I. PASTABRAC
11 260 ESPERAZA (FR)

TECHNICAL CHARACTERISTICS

Weight	61 Kg / 88 lb
Pressure	590 gr/cm ²
Max temperature	230°C / 429°F
Power supply	240V
Electric power	2200 W
Amperage	10 A
Plate	40X50 cm / 16x20"
Epaisseur maximale	17 mm

Type Features Manual closing

SETTINGS

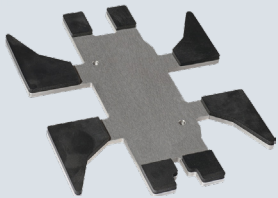


Precise, fast control (PID technology) for a wide range of transfer products:
flex, flock, sublimation, silk-screen transfer

Advanced electronics
 - Double timer (main + preheating)
 - 2 parts counters,
 - 3 modifiable programs
 - Energy-saving mode
 - Stop cycle function

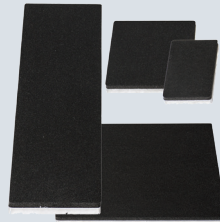
From 0 to 999 s (precision +/- 1%)
 From 15 to 230°C (precision +/- 1%)
 Heating time from 15 to 180°C : 12 min

OPTIONAL ACCESORIES



SHOES PLATE

PLA-SET
 Special plate that fits textile
 and sport shoes (side and back)



SET OF 4 PLATES

PLA-SET
 12 x 8 cm, 15 x 15 cm,
 12 x 45 cm, 25 x 30 cm



NOMEX COVER® (INCLUDED)

HOU-50



SUPPORT TABLE

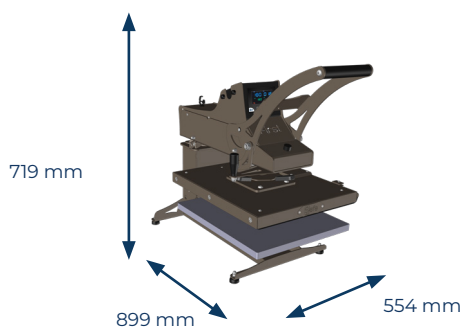
TAB-98 LITE
 Support table



TEFLON FABRIC

TOI-4050

DIMENSIONS



Box weight CAI-100 : 26 kg

