



PALIGHT® Print

Printing Grade Flat Foamed PVC Sheet



Print-Optimized in Every Aspect

PALIGHT® Print is an ideal foamed PVC sheet made specifically to cost effectively meet the stringent requirements of large format print imaging industry. The smooth uniform surface and bright white base of PALIGHT® Print allow print professionals to get the best image quality and color accuracy from their printers.

Lightweight, high-quality PALIGHT® Print is a great choice for the various fabrications needed to suit P.O.P/P.O.S, exhibition stands and booths, as well as other sign and graphics applications.

On your next wide format printing project, start off with an excellent media for superior results. Go with PALIGHT® Print.

PALRAM is a
partner member of





High Image Quality

- The smooth and uniform surface of **Palight® Print** serves as an ideal substrate for print inks, enabling smooth gradations, and homogenous area cover.
- Uniform sheet thickness promotes better ink adhesion, resulting in improved image quality and increased display duration.
- Bright white color yields wider color gamut and accurate color imaging.



Easy to Use

- The rigid and lightweight physical properties of **Palight® Print** make it easy to use even for the most creative and unique sign & graphics applications.



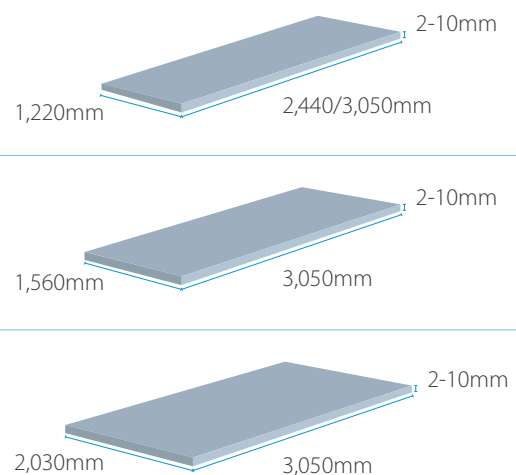
Durable & Safe

- **Palight® Print** is a great solution for indoor advertising applications due to its resistance to chemicals and humidity.
- Its low water absorption makes it suitable for short term outdoor applications.
- **Palight® Print** complies with the highest safety requirements.
- **Palight® Print** meets US & EU recycling requirements.

Physical Properties

Physical	Density: 0.52 g/cm ³ (3mm)
Optical	White index: 101
Mechanical (3mm sheet)	Shore hardness: D42 Impact strength: 29 j/m (D-265) Deflection angle MD: 12°C Flexural strength: 28 MPa, 1mm/min. (ASTM D-790-03) Flexural modulus MD: 700 MPa (ASTM D-790-03) Heat deflection temperature (H.D.T): 58°C (D-648)
Temperature	Operation range: 0°C - 50°C VICAT softening temp: 75°C, Load: 1kg (D-15257)
Flammability	B,s1,d0* (EN 13501) B-1 (DIN 4102) Class 1 (bs 476/7) M-1,M-2 (nsp 92501,5) V-0 (ul 94) * Depends on thickness, type and color

Standard sizes



Polyethylene Masking

PE / 1 side (default) DF / 2 side PE masking NF / No masking

Product Range

PALIGHT®	Flat foamed PVC sheet with matte finish, available in a wide range of standard and special thicknesses and designer colors.
PALIGHT® Print	Flat foamed PVC sheet made specifically to cost effectively meet the stringent requirements of large format print imaging industry.
PALIGHT® LW	Low weight, white only, flat foamed PVC sheet for general purposes.
PALIGHT® 2001	Flat foamed PVC sheet with glossy hard surface on one side, available in white and standard colors.



PALRAM H.Q.
Tel: +972 4 8459900
Fax: +972 4 8444012
palram@palram.com
www.palram.com

PALRAM EUROPE LTD
Tel: +44 1302 380777
Fax: +44 1302 380788
sales.europe@palram.com

PALRAM AMERICAS INC
Tel: 610 2859918
Fax: 610 2859928
palramamericas@palram.com
www.palramamericas.com



79975 - 5.2020

In as much as Palram Industries has no control over the use to which others may put the material, it does not guarantee that the same results as those described herein will be obtained. Each user of the material should make his own tests to determine the material's suitability for his own particular use. Statements concerning possible or suggested uses of the materials described herein are not to be construed as constituting a license under any Palram Industries patent covering such use or as recommendations for use of such materials in the infringement of any patent. Palram Industries or its distributors cannot be held responsible for any losses incurred through incorrect installation of the material. In accordance with our company policy of continual product development you are advised to check with your local Palram Industries supplier to ensure that you have obtained the most up to date information.

©1997 Palram Industries Ltd. | PALIGHT is a registered trademark of Palram Industries Ltd.

